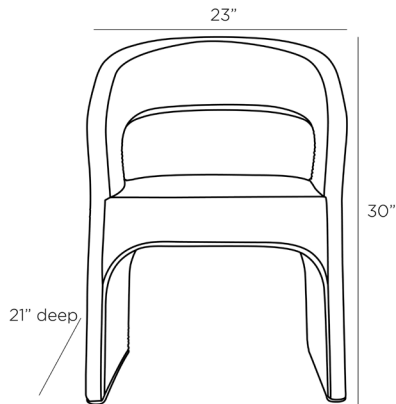


# ARTERIOS

## ITIGA DINING CHAIR



5695

H: 30 IN, W: 23 IN, D: 21 IN

Black Washed

Contract Recommendations: Adding a lacquer coating provides additional pro-

Reminiscent of a classic tub chair design, the Itga has been updated with natural materials for an organic vibe. The core of this piece is crafted of pencil rattan, tightly wound into concentric lines to shape the curvature and open-back that comfortably hugs you while seated. A black wash finish enhances its the natural material. Finish will vary.

### APPEARANCE

Material	Rattan
Finish	Black Wash
Finish Will Vary	true
Top Coat/Sealant	false

### DIMENSIONS

Arm	H: 26 IN, W: 2 IN, D: 13 IN
Foot Print	W: 23 IN, D: 21 IN
Leg	H: 14 IN
Seat Back Height	15.5 IN
Seat	W: 17.5 IN, D: 18.5 IN
Seat Height	18.5 IN
Seat	W: 17.5 IN, D: 18.5 IN

### SHIPPING

Shipping Requirements	TruckShip
Product Weight	18.08 LBS
Gross Weight 1	29 LBS
Shipping Box 1	H: 31.5 IN, L: 24 IN, W: 23.6 IN

### CONTRACT

Contract Suitable	Not for use in high traffic/public spaces, Adding a lacquer coating provides additional protection
-------------------	--